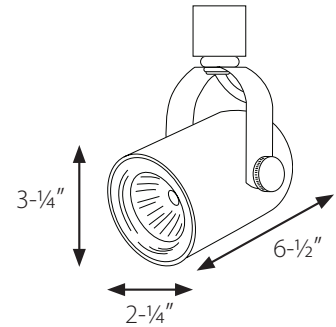


NUVO LIGHTING

Product Information



Track Lighting Kits

MR16 Round Back

TK354 - Brushed nickel

(3) 50W MR16 / GU10 base 120V max.

Linear track kits include

(1) Four foot track

(3) Track lighting heads

(1) Floating power feed canopy

All necessary mounting hardware

Four color display carton

Dimensions:

Height 3-1/4", Width 2-1/4", Extension 6-1/2"

NUVO[®]

LIGHTING

Another innovative Satco Brand
www.nuvolighting.com



National Toll-Free: 1.800.43.SATCO (1.800.437.2826) www.satco.com
Corporate Offices: 110 Heartland Blvd., Brentwood, NY 11717 800.437.2826 631.243.2022 Fax 631.243.2027
Distribution Centers: New York, Florida, Texas, Washington, California, Puerto Rico



© Copyright 2014, SATCO Products, Inc.